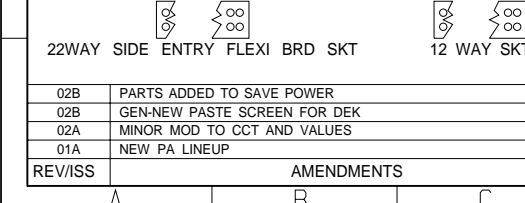


Interface PCB

Connector Accessory



REV/ISS	AMENDMENTS	DRAWN	CHKD	D.O.	APVD	DATE
02B	PARTS ADDED TO SAVE POWER	BRD				11/06/99
02B	GEN-NEW PASTE SCREEN FOR DEK	BRD				02/06/99
02A	MINOR MOD TO CCT AND VALUES	SPICJK				25/05/99
01A	NEW PA LINEUP	BCS/CJK				12/02/99

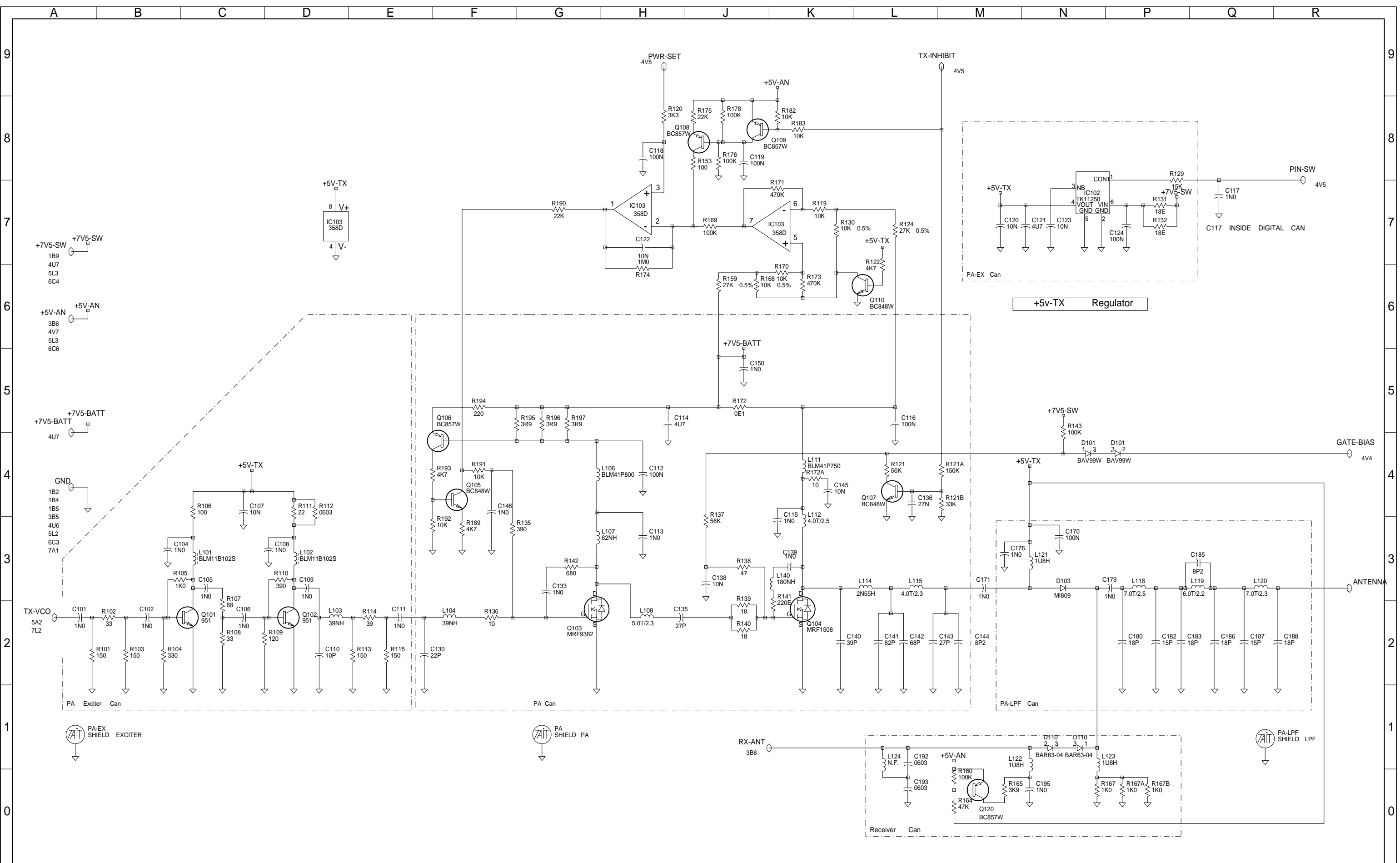
## PROCESSOR DSP AUDIO

252 SHEET 4

VHF

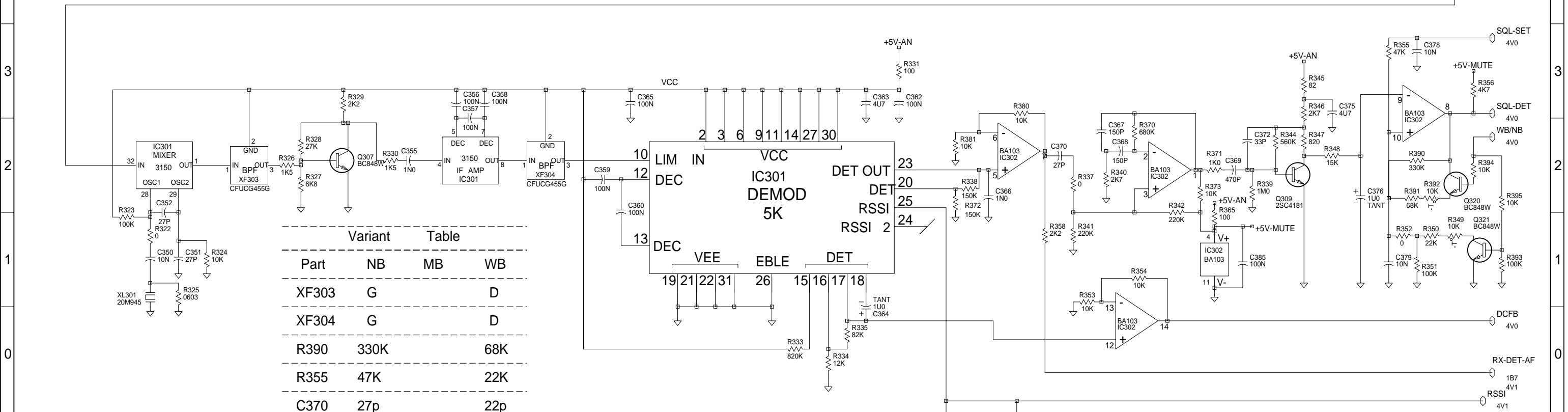
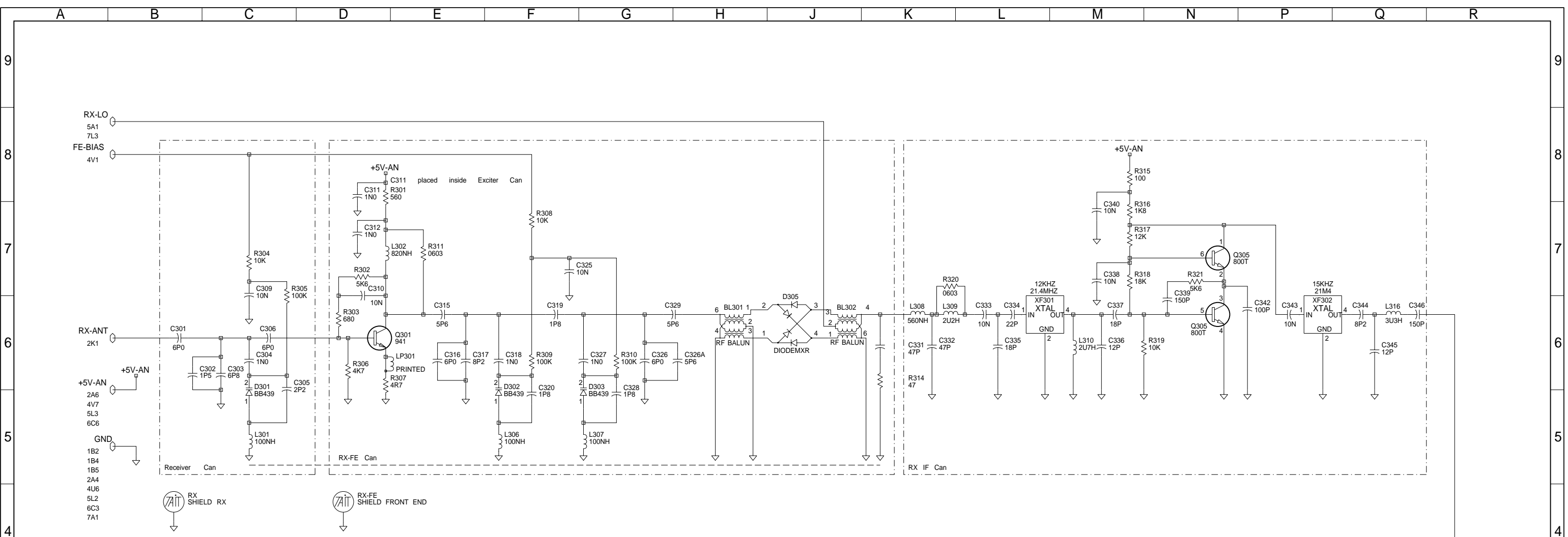
Tait Orca

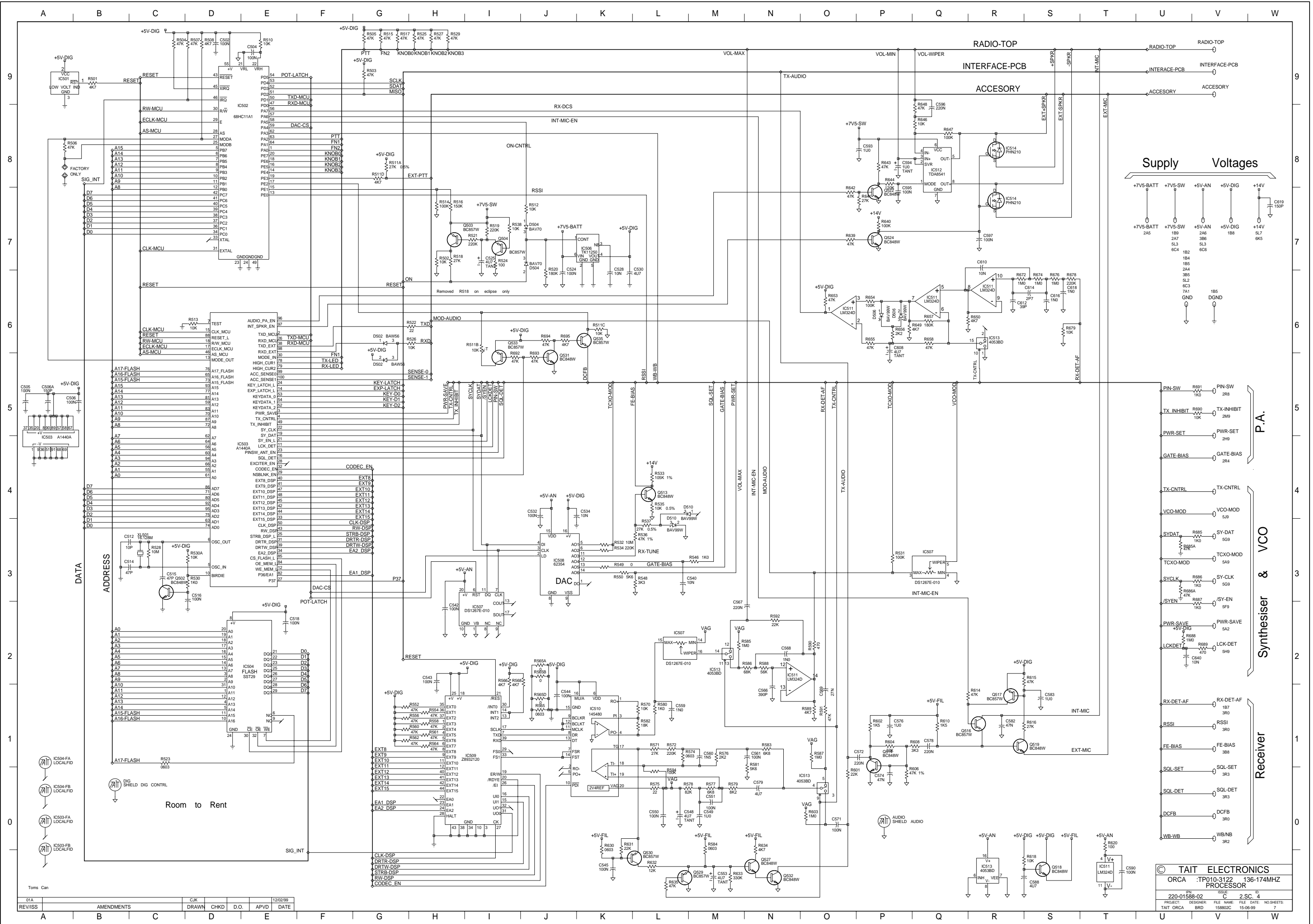
<b>TAIT ELECTRONICS</b>	
ORCA	:TP010-3122 136-174MHZ SYSTEM DIAGRAM
220-01588-02	ISSUE: C ID: 2.S.C. 1
PROJECT: TAIT ORCA BRD	DESIGNER: 158802C FILE NAME: 15-06-99 NO.SHEETS: 7



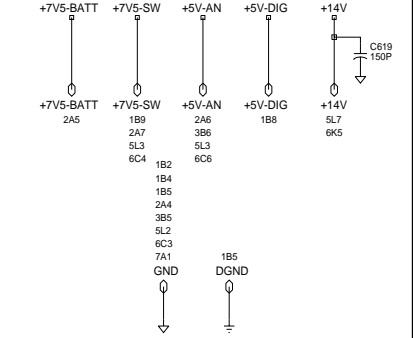
© TAIT ELECTRONICS  
 ORCA :TP010-3122 136-174MHZ  
 POWER AMPLIFIER  
 IPN: C ISSUE: 2.S.C. 2  
 PROJECT: 220-01588-02 DESIGNER: TAIT ORCA FILE NAME: BRD FILE DATE: 15-06-99 NO.SHEETS: 7

01A	NEW PA LINEUP (BC-S)	CJK				12/02/99
REV/ISS	AMENDMENTS	DRAWN	CHKD	D.O.	APVD	DATE





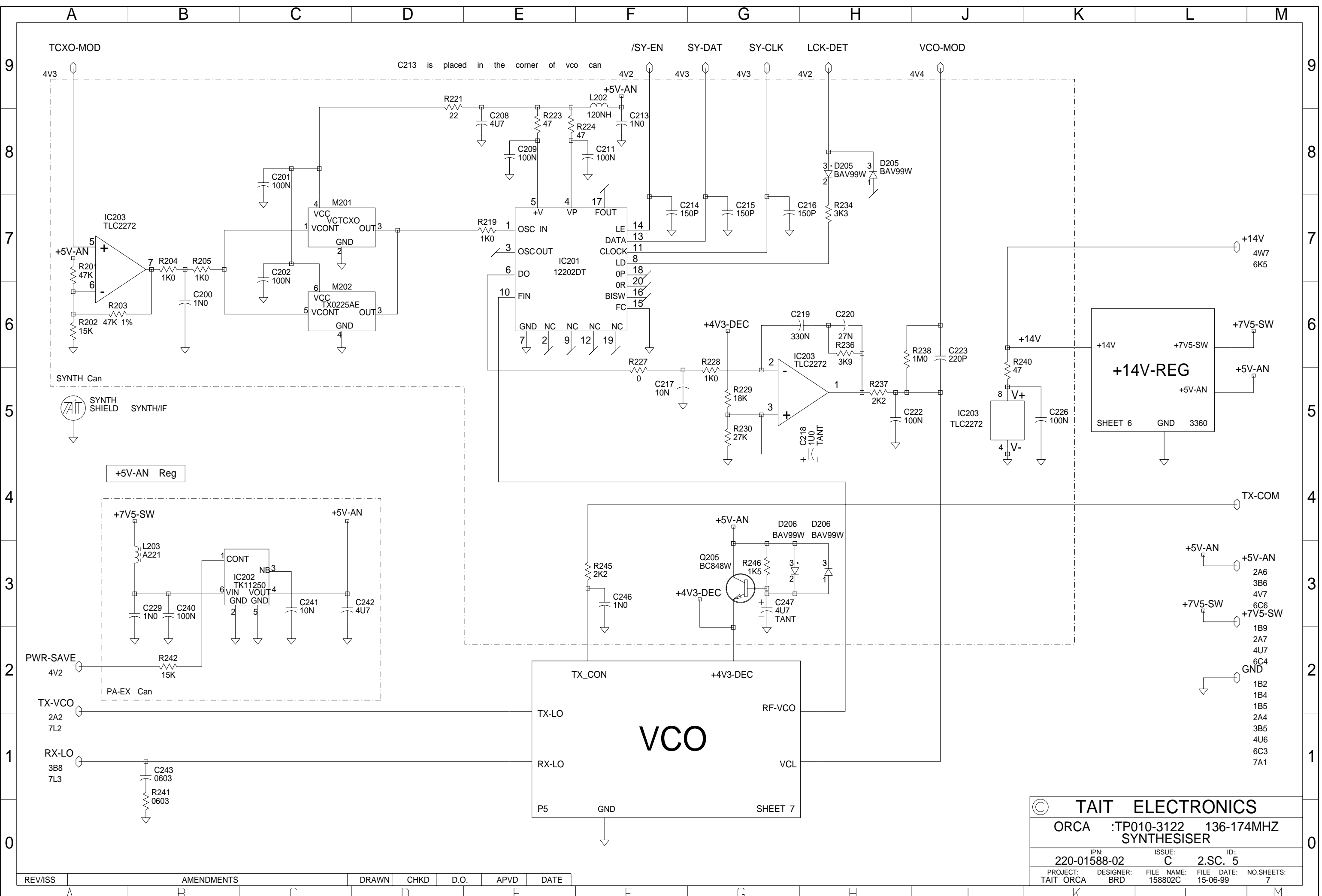
**Supply Voltages**



- P.A.
  - PIN-SW 288
  - TX-INHIBIT 289
  - PWR-SET 289
  - GATE-BIAS 284
- Synthesiser & VCO
  - TX-CNTRL 284
  - VCO-MOD 510
  - SY-DAT 509
  - TCXO-MOD 549
  - SY-CLK 509
  - SY-EN 509
  - PWR-SAVE 5A2
  - LCK-DET 5H9
- Receiver
  - RX-DET-AF 380
  - RSSI 380
  - FE-BIAS 388
  - SOL-SET 383
  - SOL-DET 383
  - DCFB 380
  - WB-WB 382

Room to Rent

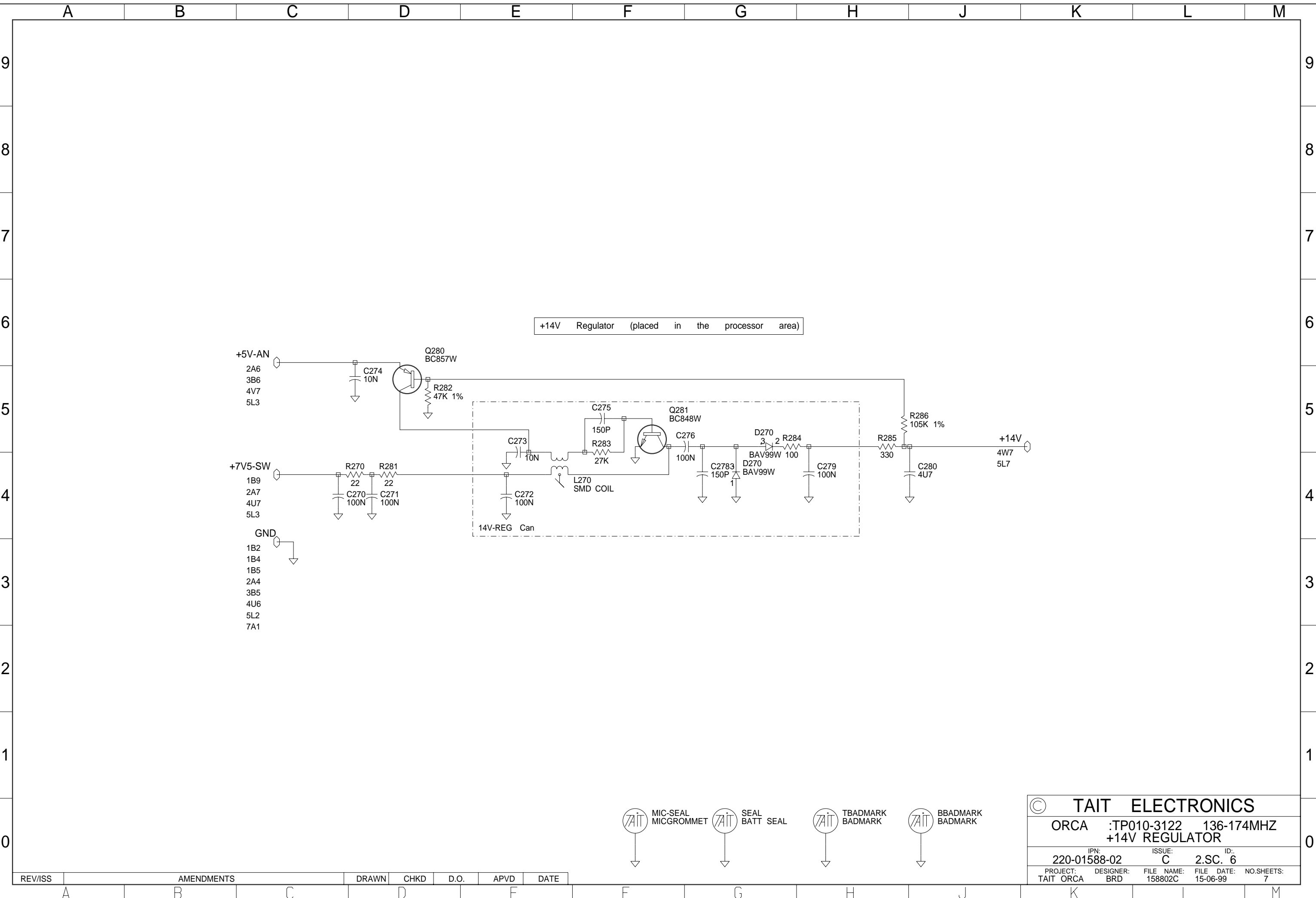
01A					12/02/99
REV/ISS	AMENDMENTS	DRAWN	CHKD	D.O.	APVD



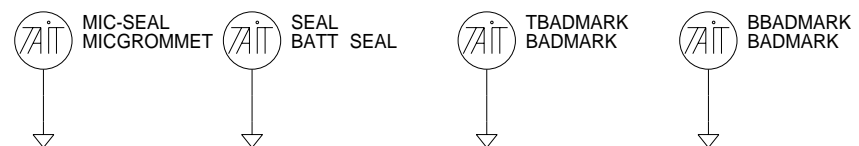
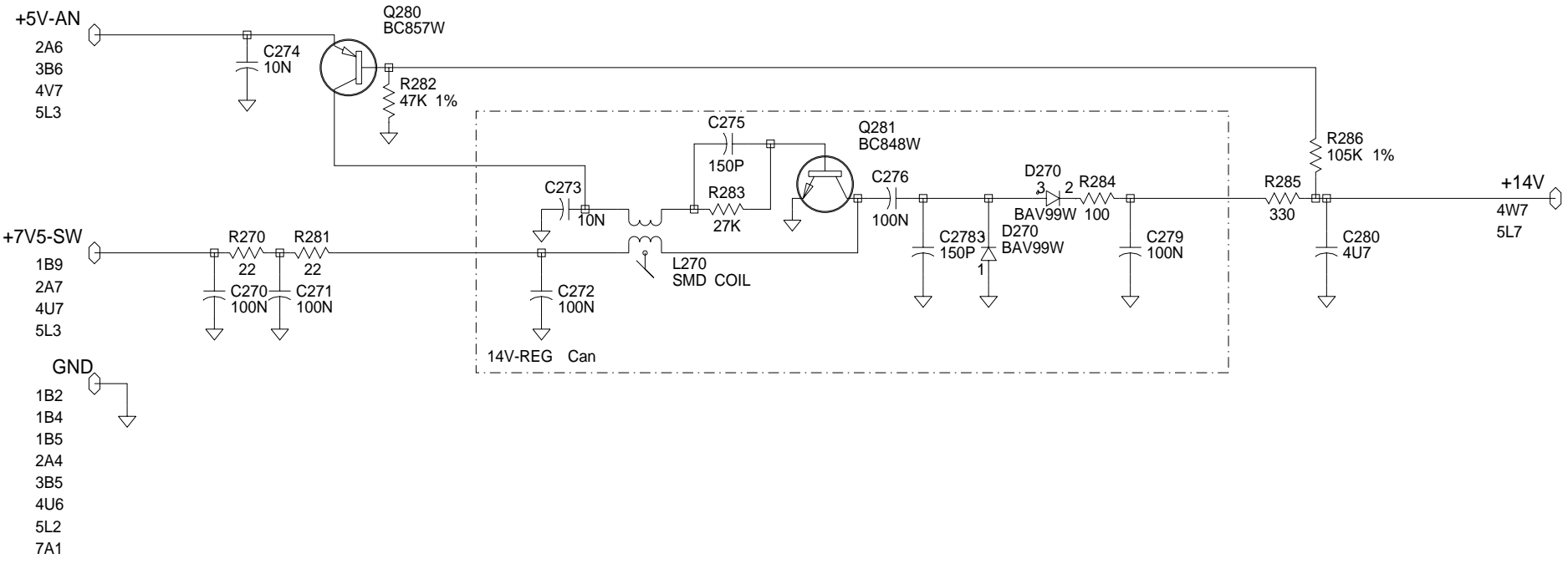
© TAIT ELECTRONICS				
ORCA	:TP010-3122	136-174MHZ	SYNTHESISER	
IPN:	ISSUE:	ID:		
220-01588-02	C	2.SC. 5		
PROJECT:	DESIGNER:	FILE NAME:	FILE DATE:	NO.SHEETS:
TAIT ORCA	BRD	158802C	15-06-99	7

REV/ISS	AMENDMENTS	DRAWN	CHKD	D.O.	APVD	DATE

- +5V-AN 2A6
- +5V-AN 3B6
- 4V7 4V7
- +7V5-SW 6C6
- +7V5-SW 1B9
- 2A7 2A7
- 4U7 4U7
- 6C4 6C4
- GND 1B2
- 1B4 1B4
- 1B5 1B5
- 2A4 2A4
- 3B5 3B5
- 4U6 4U6
- 6C3 6C3
- 7A1 7A1

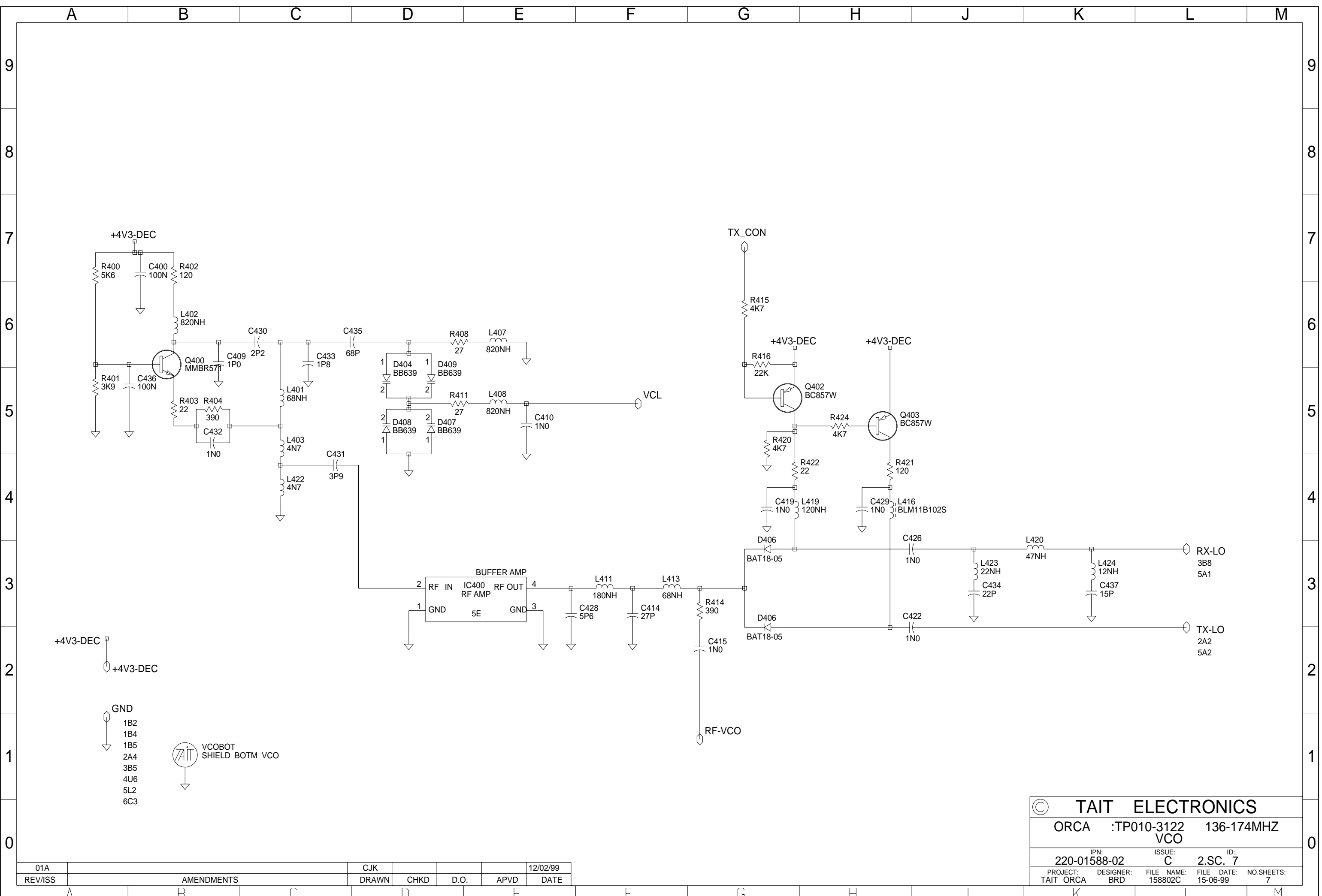


+14V Regulator (placed in the processor area)



© TAIT ELECTRONICS				
ORCA		TP010-3122	136-174MHZ	
+14V REGULATOR				
IPN:		ISSUE:	ID:	
220-01588-02		C	2.SC. 6	
PROJECT:	DESIGNER:	FILE NAME:	FILE DATE:	NO.SHEETS:
TAIT ORCA	BRD	158802C	15-06-99	7

REV/ISS	AMENDMENTS	DRAWN	CHKD	D.O.	APVD	DATE



© TAIT ELECTRONICS  
 ORCA :TP010-3122 136-174MHZ  
 VCO  
 IPN: 220-01588-02 ISSUE: C ID: 2.SC. 7  
 PROJECT: TAIT ORCA DESIGNER: BRD FILE NAME: 158802C FILE DATE: 15-06-99 NO.SHEETS: 7

01A		CJK				12/02/99
REV/ISS	AMENDMENTS	DRAWN	CHKD	D.O.	APVD	DATE